



Euro Series Product Installation Guide

| | |
|--|----|
| Introduction | 3 |
| Tools Required..... | 4 |
| Installation Instructions | 5 |
| Operation and Maintenance | 7 |
| Hinge Adjustments..... | 10 |
| Door Hinge & Locking Point Adjustments | 11 |
| Designo Hardware Sash Hinge/Unhinge | 12 |
| Glazing Details | 14 |



Euro Series Product Installation Guide

Introduction

Custom Vinyl Products, LLC's Euro Series product line includes picture and tilt/turn windows, patio door systems and a variety of doors: fold/slide, lift/slide, tilt/slide and Komfort slide.

Please Note: When remodeling, be sure to safely remove existing framing and properly prepare the opening for installation. See www.epa.gov/lead for additional information. The proper disposal or recycling of the products being removed is the responsibility of the installer.

DISCLAIMER: EPA makes no warranties, expressed or implied, nor assumes any legal liability or responsibility for the accuracy, completeness, or usefulness of the contents of installation instructions, or any portion thereof. Further, EPA cannot be held liable for defects or deficiencies resulting from the proper or improper application of installation instructions.

DISCLAIMER: Custom Vinyl Products, LLC makes no warranty, expressed or implied, with respect to these instructions or any third party instructions, and Custom Vinyl Products, LLC shall not be liable for any damage or liability that may arise in connection with the installation of this product not performed by Custom Vinyl Products, LLC.

Euro Series Product Installation Guide

Tools Required

Tools Provided

- Install straps provided (if not installing through frame).
- Glazing bridges and shims. (If glazing on site, attached glazing instructions must be followed.)
- Red construction handle with pin removal tool.
- Allen key with lock adjustment tool.
- Accessory package with small parts as required for product purchased.

Tools Not Provided

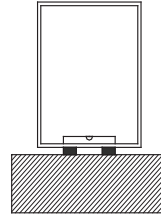
- Power drill with drill bits 1/4" and 3/8" (if installing through frame).
- Glazing shovel for jobsite glazing.
- Installation screws 3"-4" wood or tapcon (for through frame installation).
- Caulking / sealant.

Euro Series Product Installation Guide

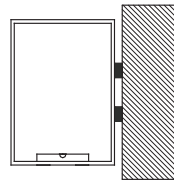
Instructions

1. Install Frame

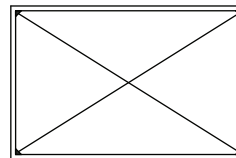
- Check opening for square and plumb. Rough opening should be approximately 1/2" larger than finished window size.
- **Caution:** Correct installation of the proper type of flashing to the opening is critical to maintaining the weather-resistant barrier. Please follow the the flashing manufacturer's recommended method for flashing installation.
- Center window in opening.
- Level sill. (**This is vital to proper functioning of the unit!**) Shim sill 4 to 6 inches from each jamb. As a rule, 1/4" max shim space is allowed around the window frame.



- Plumb jambs.



- Square frames (check diagonals) by installing shims between window jambs and rough opening. Shims should be 4 to 6 inches from head and sill, at midpoint and at lock keeper locations.

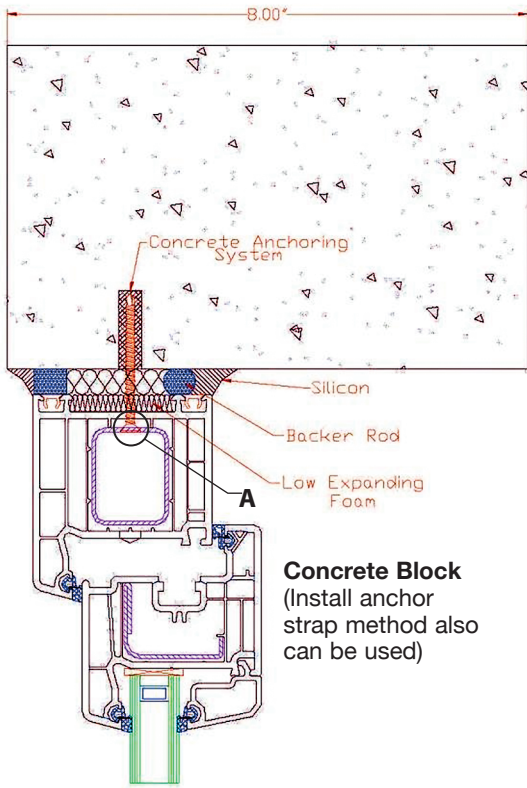


- Pilot drill anchor holes if not already drilled. When doing so, please keep in mind that there is steel inside the frame and sash. Holes should be 6" in from top and bottom of inside frame corner on the jambs. Additional holes should be drilled no more than 18" apart. Anchor the units through pre-drilled holes with appropriate fasteners for rough opening conditions (4-inch minimum screws for wood, tapcon for masonry or block).
- Shim head 4 to 6 inches from jambs..

Euro Series Product Installation Guide

Installation Instructions

Installation Methods



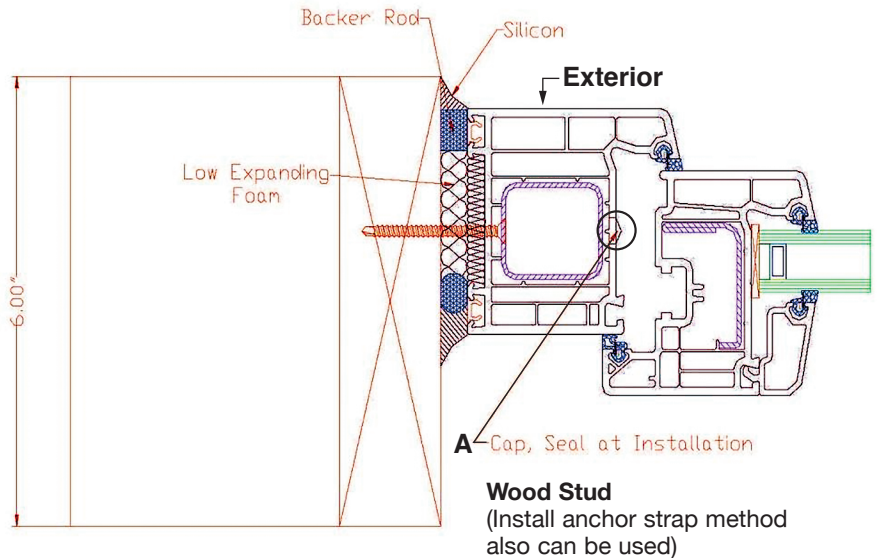
Concrete Block
(Install anchor strap method also can be used)

Note A:

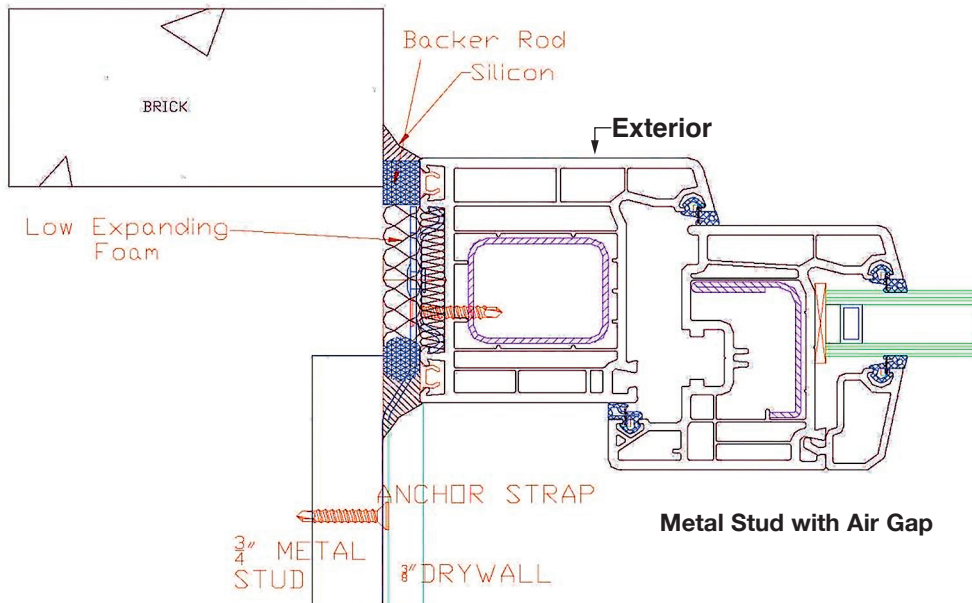
- Pre-drill 3/8" holes through the vinyl and first wall of steel.
- Drill 1/4" hole through second wall and installation surface (wall).
- Screw in 3" or 4" installation screws.
- Seal/cap drill holes with 3/8" plugs.

Note B:

- Frames must be installed through the **steel** into the supporting wall.



Wood Stud
(Install anchor strap method also can be used)



Metal Stud with Air Gap

Euro Series Product Installation Guide

Instructions

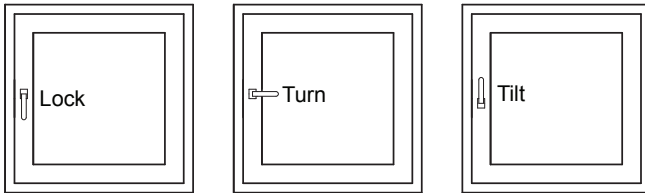
Reference ASTM E 2112-01 *Standard Practice for Installation of Exterior Windows, Doors and Skylights.*

It is the responsibility of the installer and/or owner to prepare openings (barrier and flashing as required) as well as adhere to local/state/regional codes and practices.

2. Handle Installation

Instructions for Tilt/Turn and Hopper/Awning windows only. For Swing Doors, follow instructions provided with the handle set.

- Place handle in down (lock) position.
- Insert handle spindle into sash handle hole and turn handle 90° (turn position) to access screw holes. **Use caution when doing this because the sash can tilt!**
- Install screws. Be careful to not overtighten.
- Turn handle to lock position.



3. Sash Removal (If necessary)

Instructions for Tilt/Turn external hinge system only. For concealed hinge system, see enclosed Designo hardware instructions.

- Depending upon the size of the sash, the assistance of a second installer may be required. (Please be aware that all sash and frames are steel reinforced.)
- Sash must be in closed position in order to remove the pin.
- Using a construction handle, push pin in the top hinge down. *While this is occurring, the second installer (if necessary) must be holding the sash!*



- Pull pin down until pin clicks at lowest point.
- Turn handle to "Turn" position and open sash.
- Tilt sash towards you.
- Lift sash up and off of lower pin.
- Place sash in safe place and **mark sash so it is reinstalled into the correct frame!**

Euro Series Product Installation Guide

Instructions

4. Reinstall Sash (If removed)

*Instructions for Tilt/Turn external hinge system only.
For concealed hinge system, see enclosed Designo hardware instructions.*

- Install sash onto lower hinge pin. Ensure sash is in the "Turn" position (Fig. A).
- Set sash into the frame, connecting the hinge (Fig. B).
- Push the pin downward on top hinge (Fig. C).
- Once pin is in place, close the window and turn the handle to the "Lock" position.

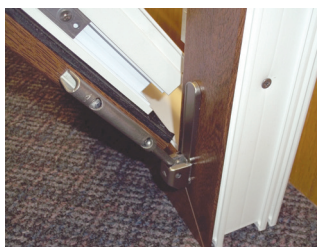


Figure A



Figure B



Figure C

5. Operate Window

- Operate the sash to make sure it operates smoothly.
- If it does not operate smoothly, check unit for plumb, level and square. Make adjustments as necessary.
- To prevent the sash from rubbing against the frame, adjust cams and hinges as required per provided instructions.
- Install hinge covers (external hinge system).provided in hardware package (2 pieces top/3 pieces bottom).

6. Insulate and Caulk

- Insulate around perimeter of opening.
- **Caution:** Over-insulating can affect operation of the window.
- **Caution:** Under-insulating can affect thermal performance of the window.
- Caulk around exterior perimeter of window (Fig. D).
- Install weep hole covers (inswing units).
- Flash as required

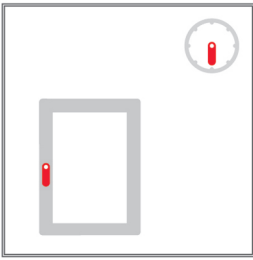


Figure D

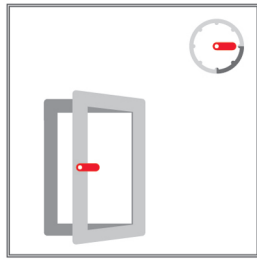
Euro Series Product Installation Guide

Operation and Maintenance

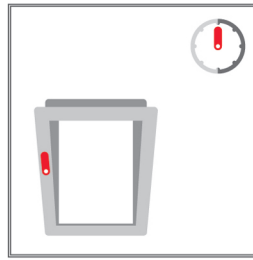
Closed



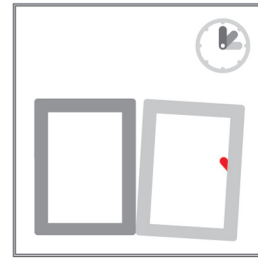
Open



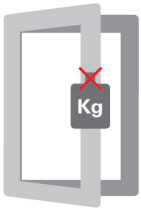
Tilt



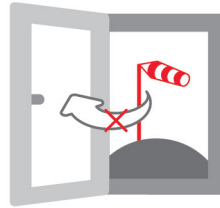
Avoid mishandling!



In order to maintain the operability of your window and to ensure security, it is extremely important that these precautions be observed:



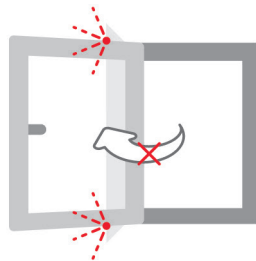
Do not subject the sash to additional loads.



Do not leave sashes open in the turn mode during strong winds.



Do not place any objects between the sash and the frame.



Do not allow the sash to hit or to press up against the window reveal.



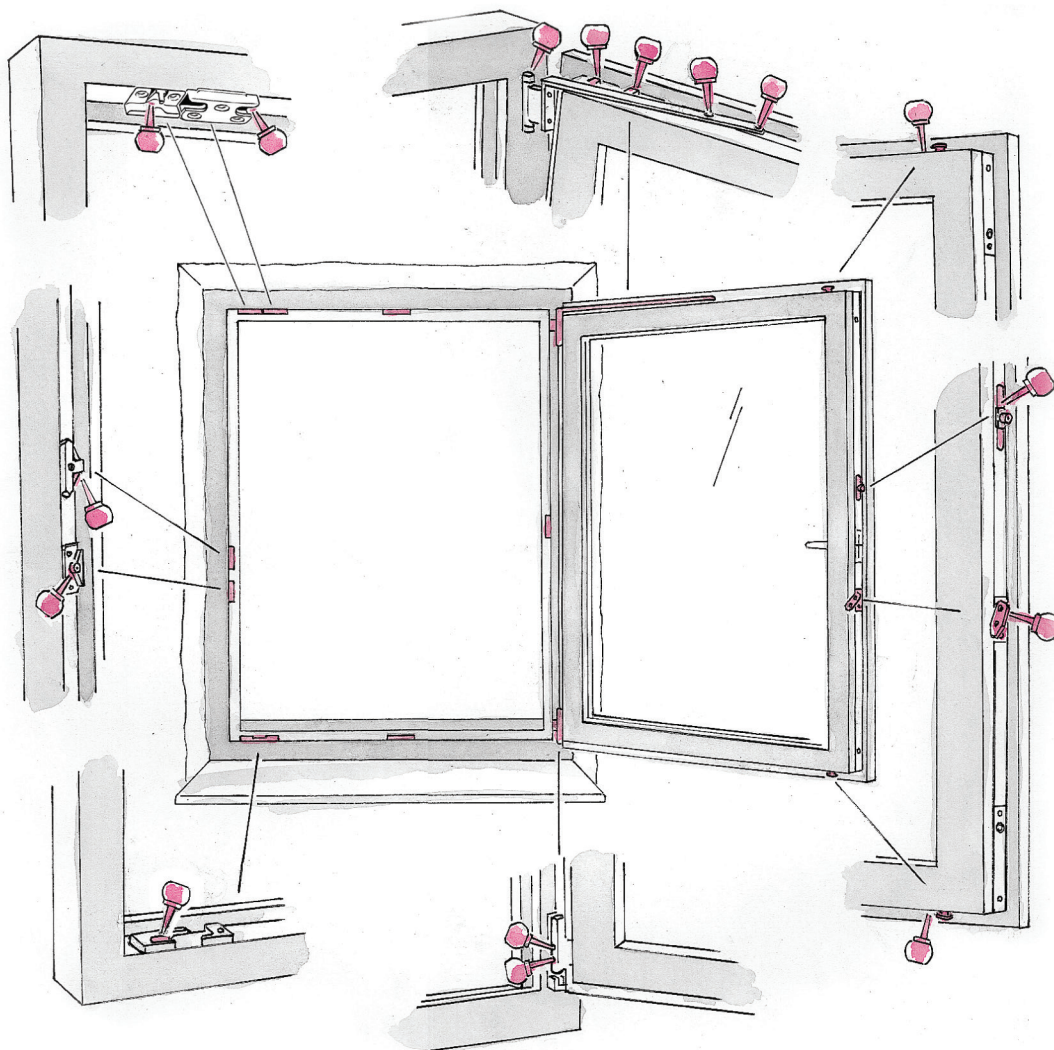
Risk of Injury!

There is a risk of injury by catching one's finger or other body parts in the opening gap. While closing, do not grab between the sash and the frame.



Risk of Injury!

Where children or other endangered persons have access to the window, the sash is to be safeguarded against turning. Install a child safety lock or a key-lockable handle.



To maintain smooth operation of the hardware and protect against premature wear and tear, greasing and oiling* of all operation-relevant components in the sash and frame **must be done at least once a year**. In addition, the individual screws must be checked.

Possible loose screws or broken off screw heads must be replaced immediately. The hardware may be cleaned only with a soft cloth and a mild pH-neutral cleaning agent in a diluted form. Never use aggressive, acid cleaning agents or abrasive cleaning agents because they can permanently damage the hardware.

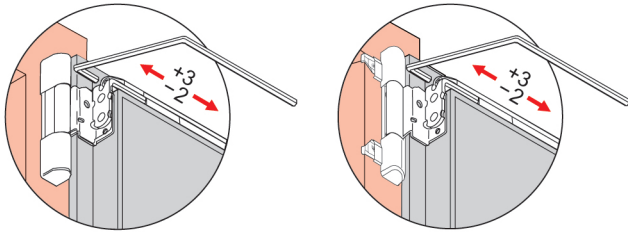
**Use only acid free and non-resinous grease and/or oil!*

Euro Series Product Installation Guide

Hinge Adjustments

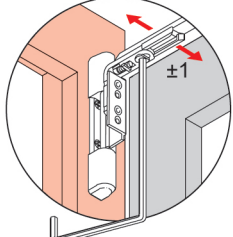
External Window Hinge Adjustment Options

Stay bearing

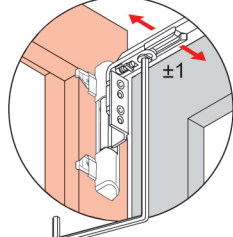


4 mm Allen key

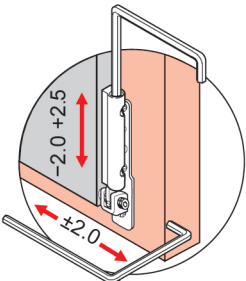
4 mm Allen key



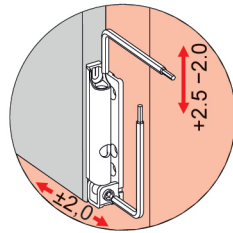
4 mm Allen key



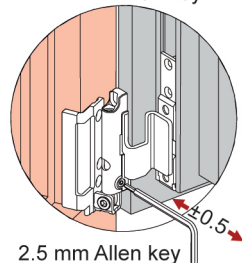
4 mm Allen key



4 mm Allen key



4 mm Allen key

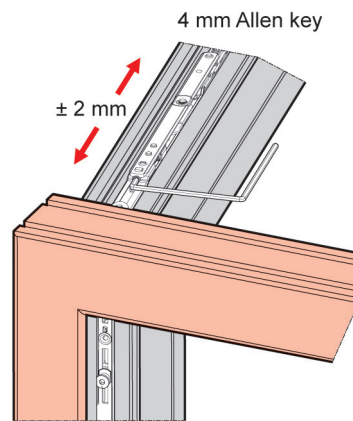


2.5 mm Allen key

Designo Hinge Adjustment Options

Via sash stay

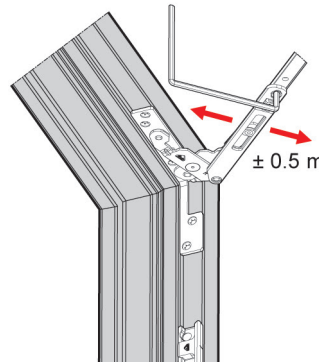
Lateral adjustment



4 mm Allen key

± 2 mm

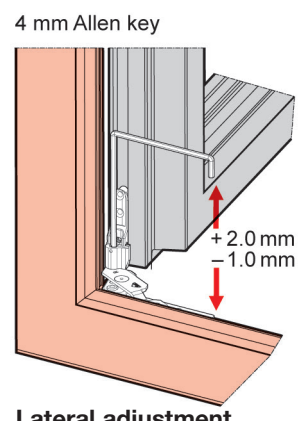
Gasket compression adjustment



± 0.5 mm

Via pivot rest

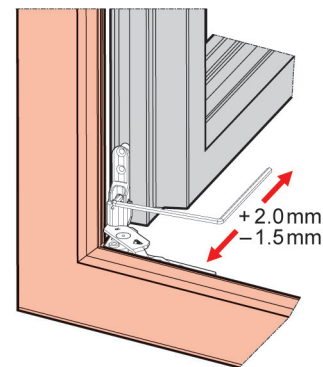
Height adjustment



4 mm Allen key

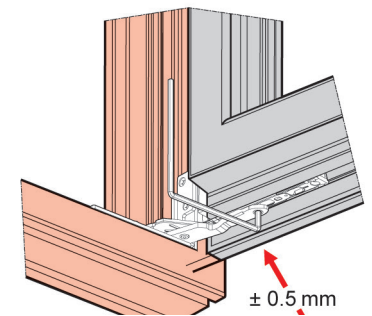
+2.0 mm
-1.0 mm

Lateral adjustment



+2.0 mm
-1.5 mm

Gasket compression adjustment



± 0.5 mm

Euro Series Product Installation Guide

Door Hinge & Locking Point Adjustments

Door Hinge Adjustments



1. Gasket compression adjustment ± 1 mm and additionally $\pm .75$ mm
2. Lateral adjustment ± 5 mm
3. Height adjustment $+5/-1$ mm

Locking Point Adjustments (Standard Security & WK1)

| Locking Cam E | Locking Cam P |
|--|--|
| <p>Original position 0°</p> | <p>Original position 0°</p> |
| <p>90° 90°</p> <p>± 0.8 +</p> | <p>90° 90°</p> <p>± 0.8 +</p> |
| <p>4 mm Allen key</p> | <p>4 mm Allen key</p> |

WK2 Security

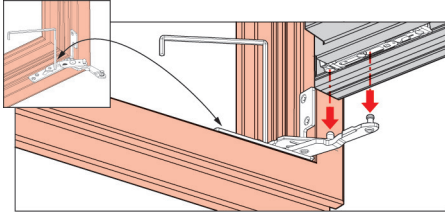
| Locking Cam V (included with accessories) | Adjustment range in ° | Gasket-compression adjustment in mm | Height adjustment in mm |
|--|-----------------------|-------------------------------------|-------------------------|
| <p>0 = Original position</p> <p>Original position 0°</p> | | - | - |
| <p>90° 90°</p> | ± 0.8 + | ± 0.2 + | |
| <p>180° 180°</p> <p>- 0.8 max. adjustment</p> | - | ± 0.4 + | |
| <p>270° 270°</p> <p>+ 0.8 max. adjustment</p> | ± 0.8 + | ± 0.6 + | |
| <p>360° 360°</p> | - | ± 0.8 + | |

Euro Series Product Installation Guide

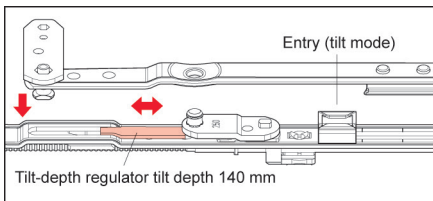
Designo Hardware Sash Hinge/Unhinge

Hinging the sash - sash stay 250

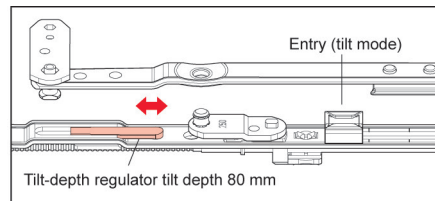
1. Press down the lifting mishandling device (if mounted).
2. Bring the handle into the tilt mode
(This is a conscious, and in this case necessary, hardware mishandling operation!)
3. Put the sash into the pivot rest. **Important:** Do not tilt the sash.



4. Press down the stay arm on the stay guide and supporting arm.

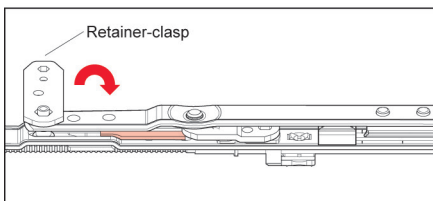


Sash stay 250 -standard tilt depth 140 mm

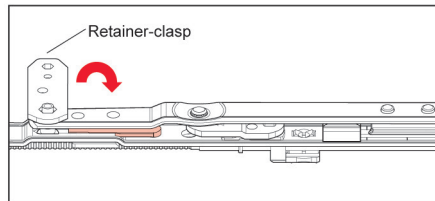


Sash stay 250 -standard tilt depth 80 mm

5. Close the retainer clasp.



Sash stay 250 -standard tilt depth 140 mm

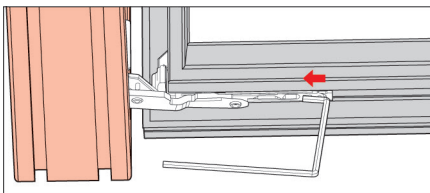


Sash stay 250 -standard tilt depth 80 mm

6. Operate the lifting mishandling device again.
7. Bring the handle into the turn mode.

Unhinging the sash - sash stay 250

1. Open the sash 90°
2. Slide back the corner hinge's anti-jimmy device with a 4 mm Allen key.



3. Press down the lifting mishandling device (if mounted).
4. Bring the handle into the tilt mode
5. Open the retainer clasp.
6. Lift off the stay arm from the stay guide and supporting arm.
7. Lift the sash off the pivot rest.

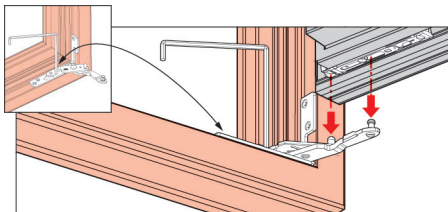
Euro Series Product Installation Guide

Designo Hardware Sash Hinge/Unhinge

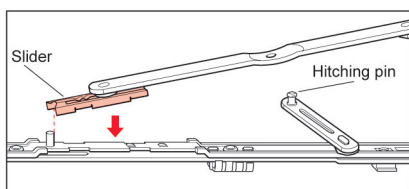
Hinging the sash - sash stay 350 and 500

1. Press down the lifting mishandling device (if mounted).
2. Bring the handle into the tilt mode
(This is a conscious, and in this case necessary, hardware mishandling operation!)
3. Firmly secure the corner drive with a 4 mm Allen key and put the sash into the pivot rest.

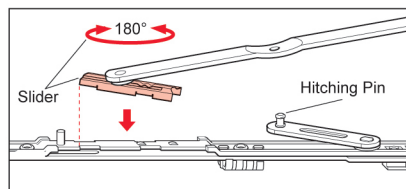
Important: Do not tilt the sash.



4. Connect the slider of the sash stay with the stay guide.

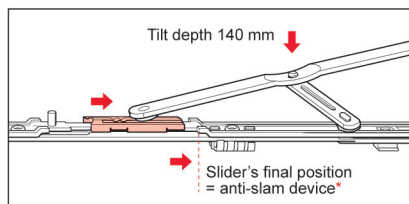


Sash stay 350 and 500 -standard tilt depth 140 mm

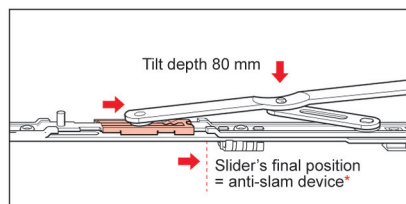


Sash stay 350 and 500 -standard tilt depth 80 mm

5. Lift the sash stay arm and let the drilling hole of the sash stay arm snap onto the hitching pin of the supporting arm.



Sash stay 350 and 500 -standard tilt depth 140 mm

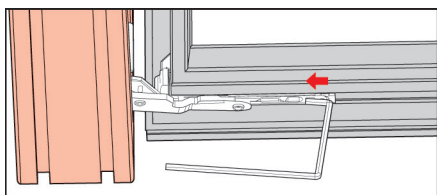


Sash stay 350 and 500 -standard tilt depth 80 mm

6. Operate the lifting mishandling device again.
7. Bring the handle into the turn mode.

Unhinging the sash - sash stay 350 and 500

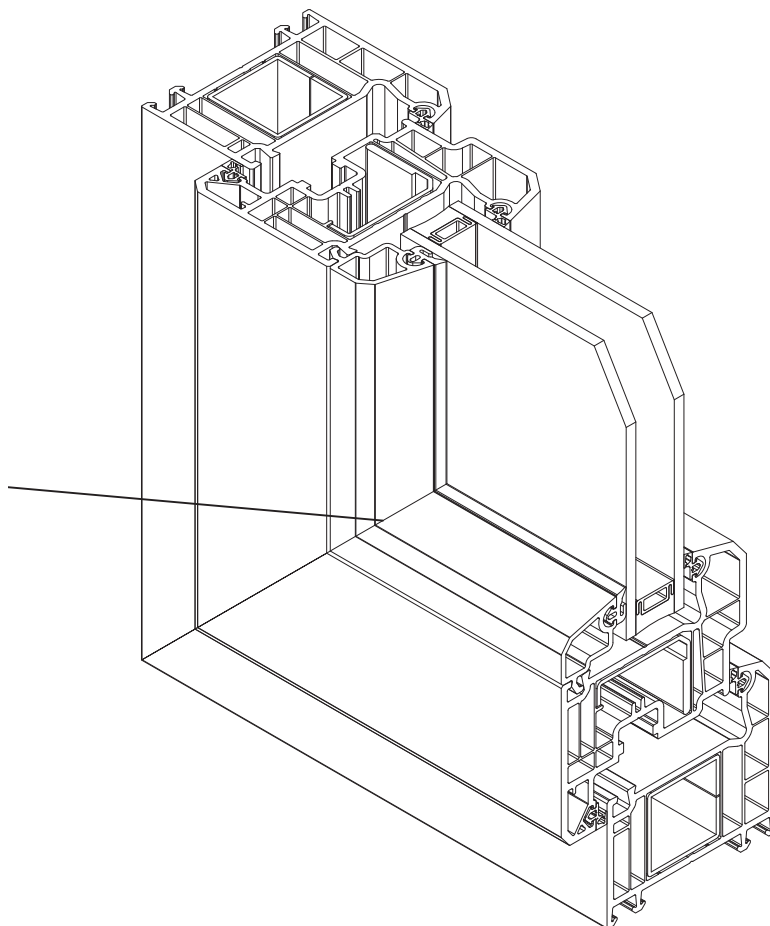
1. Open the sash 90°
2. Slide back the corner hinge's anti-jimmy device with a 4 mm Allen key.



3. Press down the lifting mishandling device (if mounted).
4. Bring the handle into the tilt mode
5. Open the retainer clasp.
6. Lift off the stay arm from the stay guide and supporting arm.
7. Lift the sash off the pivot rest.

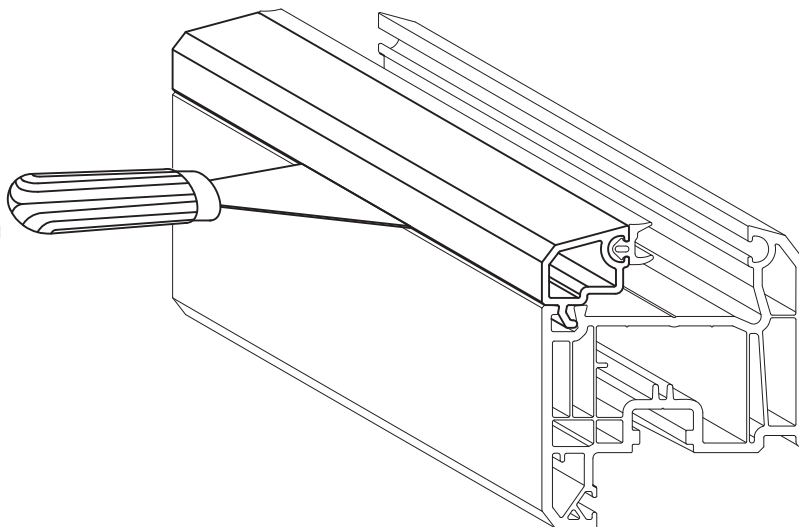
How to insert the glazing beads:

With glazing beads cut to mitre fix first the shorter and then the longer glazing beads. Use a plastic or rubber hammer. Tap lightly.



How to remove the glazing beads:

You can remove glazing beads using a sharp putty knife. Start in the center with the longer glazing beads, then proceed to the shorter ones. Place the putty knife between the glazing bead rebate bottom and the lower edge of the glazing bead and lift it. Repeat the same procedure at short intervals until you can remove it by hand.



Blocking guidelines

Function of the blocks:

1. Weight distribution of the glass pane to the sash-frame
2. Lasting adjustment of the sash-frame
3. Guarantees passability of the sash
4. Prevents the possibility of direct contact between the pane and the sash-frame
5. Ventilation possibility

Block Material:

Bearing blocks, spacing blocks, glazing blocks and glazing rebate inserts as well as wedges must be of such a quality that they resist rotting. Their form should not be altered by stress-load. Plastic (e.g. hard PVC) glazing blocks and wedges have proved themselves acceptable.

Fixing the glazing blocks:

The glazing rebate inserts bridge the 3 mm height difference between the base of the glazing rebate and the upper edge of the glass bead receptor. Hereby blocking allows for an optimal hold of the pane from behind. By bending up the ends of the glazing rebate inserts (2.5 mm), it prevents the slipping of the glazing blocks that lie upon it both during and after assembly.

The glazing blocks should be 100 mm long and, in general, a minimum of 2 mm wider than the glass. All glazing rebate

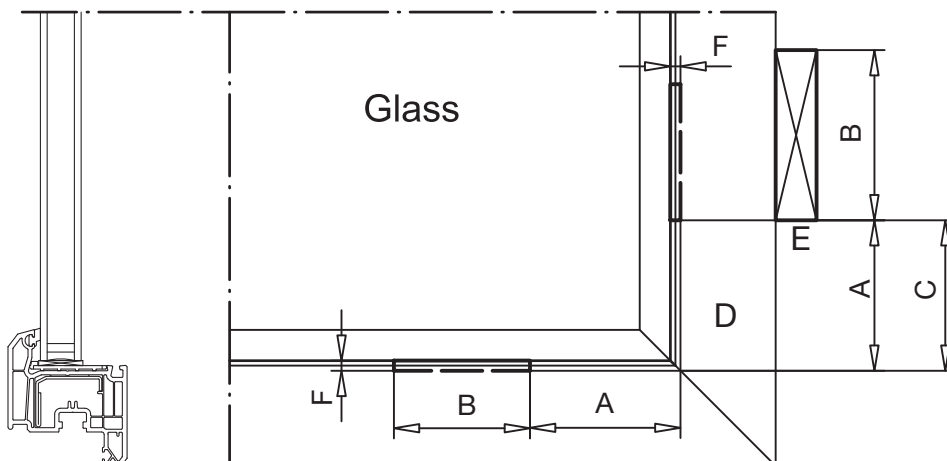
inserts as well as glazing blocks should be permanently secured against slipping; this can be achieved with silicone. Slipped blocks lose their function and hinder other functions: the sash can no longer be optimally opened or closed or the block is in front of the drainage block.

After blocking the glass pane (see blocking guidelines) the glass beads must be inserted.

Guidelines for the insertion of glazing packers

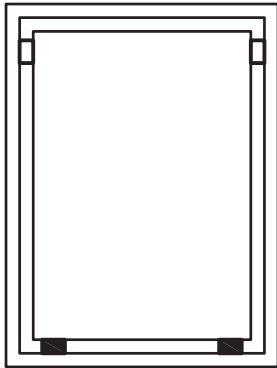
Position of the glazing packers

- A. Distance between the packers and the corner is ca. 100 mm
- B. Padding length (load bearing part) 100 mm
- C. Maximum distance between the hinge and the corner is 100 mm
- D. Sash profile
- E. Hinge
- F. Glazing rebate infill bead including glazing packers

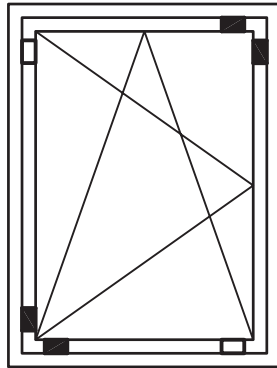


Guidelines for the insertion of packers

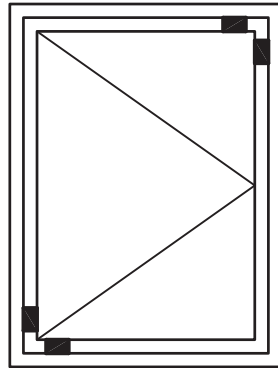
Example for smooth glass panes (in accordance with IGH Hadamar, Bulletin 3 from 10/1997)



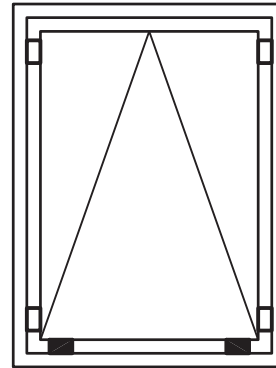
Fixed glazing



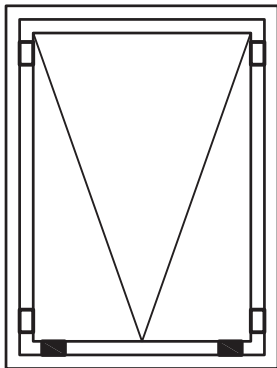
Tilt / Turn



Turn




Tilt



Top Hung

Copyright VEKA AG *Technical specifications subject to change without notice*

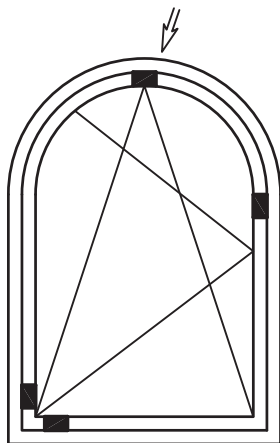
 Support packers

 Spacing packers

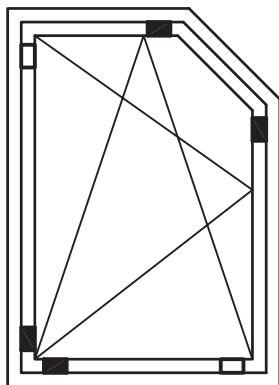
Also for use in the vertical centre area of the doors.

Guidelines for the insertion of packers

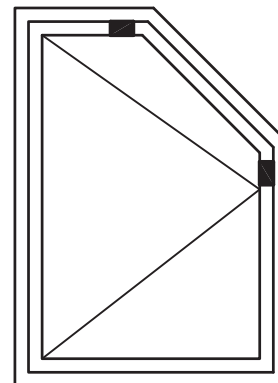
Example for special glass panes (in accordance with IGH Hadamar, Bulletin 3 from 10/1997)



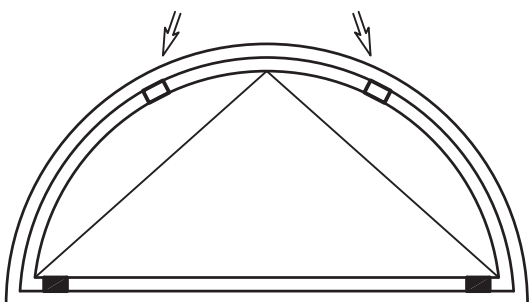
Tilt/Turn round arch



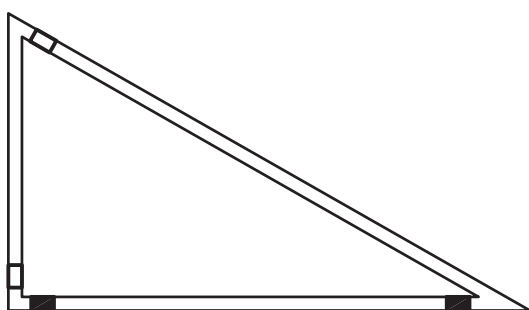
Tilt/Turn with a rake



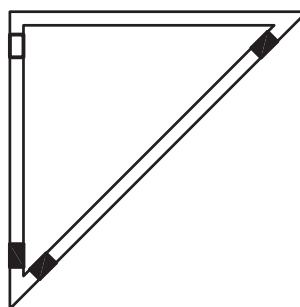
Turn with a rake



Turn round arch



Window with a rake / fixed glazing

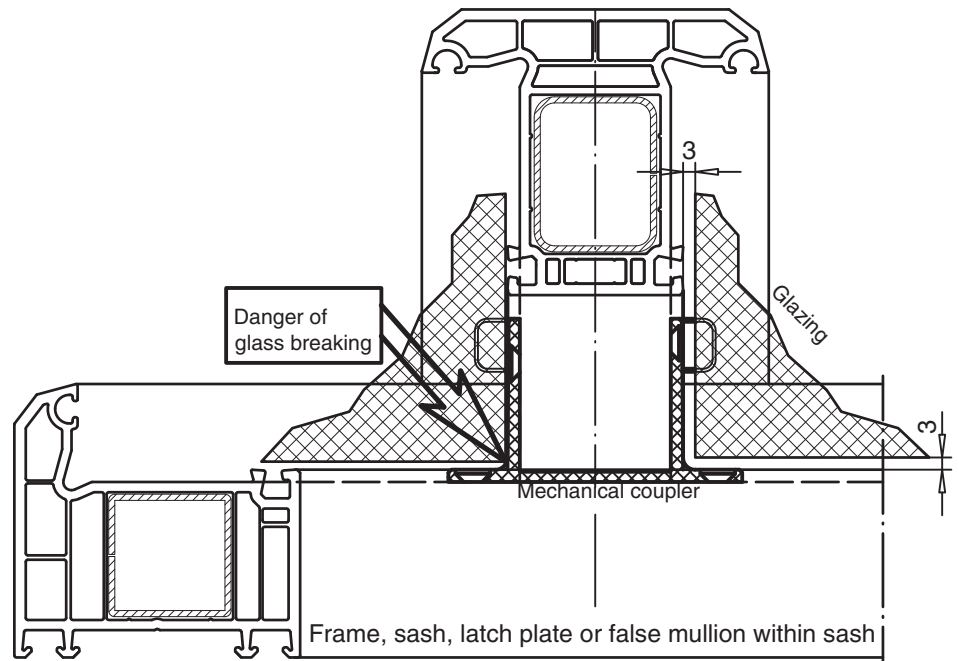
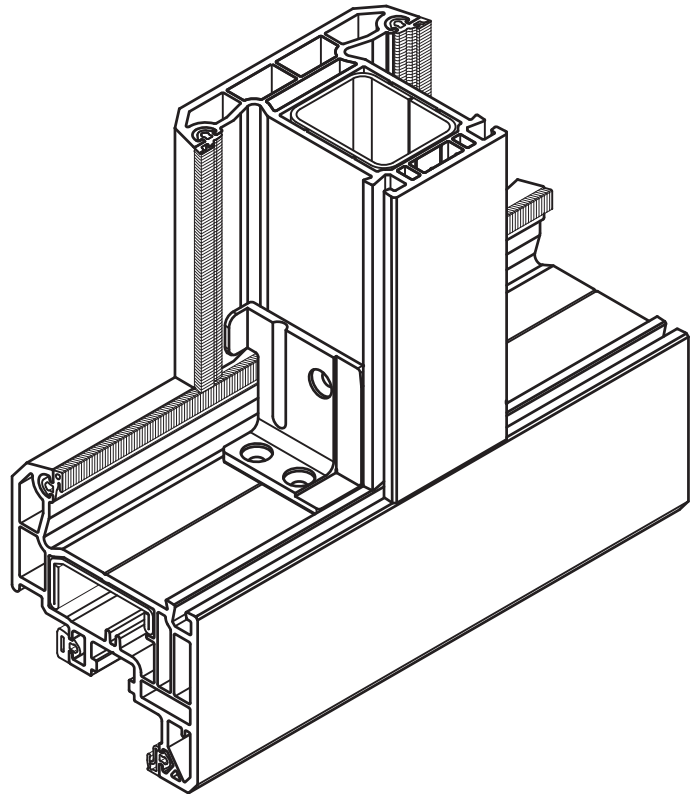


Window with a rake / fixed glazing

Special constructions and the proposed glazing procedures shown here only represent a range of options for the window constructions. Glazing of other constructions must be carried out based on the experience of each glazer. Weight and load distribution must be considered in each particular case.

Blocking procedure:

- Begin blocking by laying the block down horizontally on the glazing rebate insert.
- The block thickness should total 6 mm (3 mm glazing rebate bridge + 3 mm block).
- The glass pane is set on the bottom blocks and carefully tilted into the frame.
- To avoid damaging the glass edges, special attention must be paid to the glazing rebate space around the mechanical couplers.
- The danger of glass breaking due to inward swinging of the pane is especially high when inserting couplers at the top.
- Here the use of appropriate spacing blocks is recommended. It must be carried out with special care.





Custom Vinyl Products, LLC
260 Enterprise Drive • Newport News VA 23603-1300
Telephone: 757.887.3194 • Fax: 757.887.5472
www.customvinyl.net • eMail: Info@customvinyl.net